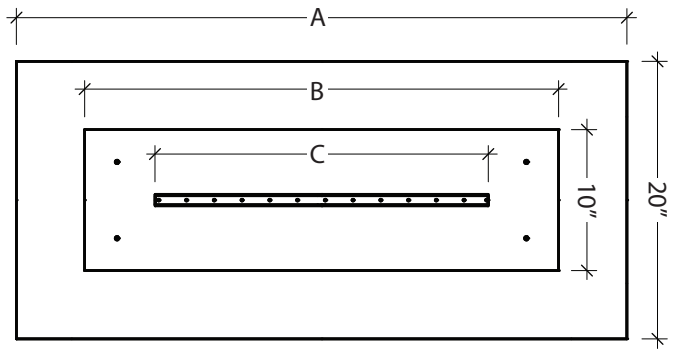




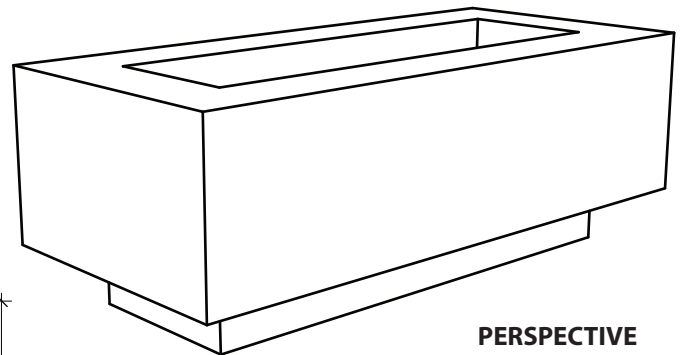
**FIRE PIT BROKERS, INC.**  
(844)653-4737  
WWW.FIREPITBROKERS.COM

# FIREPIT BROKERS

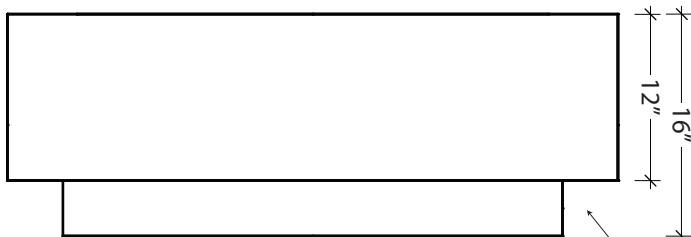


**TOP**

FIRE PIT SIZE	A	B	C
44"X20"	44"	34"	24"
56"X20"	56"	46"	36"
68"X20"	68"	58"	48"



**PERSPECTIVE**



**SIDE**

#### BURNER KIT FEATURES:

- LC CERTIFIED BURNER ASSEMBLY (EXCLUDES 68X20 MODEL SIZE)
- INCLUDED: SS FLAT PAN, SS LINEAR BURNER, GAS ORIFICE, FLEX CONNECTORS, KEY VALVE
- CERTIFIED OUTPUT: 65K BTU
- MAX. OUTPUT: 65K - 125K BTU (BASED ON MODEL SIZE)
- MATCH LIT OR AUTOMATED OPTIONS
- NATURAL GAS OR PROPANE

#### NOTES:

1. INSTALLATION RECOMMENDED TO BE DONE BY CERTIFIED PROFESSIONAL
2. INSTALLATION TO BE COMPLETED ACCORDING TO MANUFACTURERS SPECIFICATIONS.
3. THIS DRAWING IS INTENDED FOR USE BY ARCHITECTS, DESIGNERS, CONTRACTORS, ENGINEERS AND CONSUMERS FOR PLANNING PURPOSES ONLY. THIS DRAWING MAY NOT BE USED FOR CONSTRUCTION.
4. DO NOT SCALE DRAWING
5. FOR PRODUCT AND COMPANY INFO PLEASE VISIT WWW.FIREPITBROKERS.COM





**FIRE PIT BROKERS, INC.**  
(844)653-4737  
WWW.FIREPITBROKERS.COM

# **FIREPIT BROKERS**

## **POWDER COAT COLOR CHART**



**BK303  
BLACK**



**BL210  
BLUE**



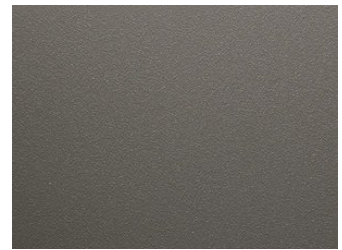
**BR47  
RUST**



**BL251  
OILED BRONZE**



**GN57  
VERDIGRIS**



**GR07  
GRAY**



**GR494  
STEEL GRAY**



**WH120  
WHITE**

The colors shown on this color chart are standard options. More color options available at [www.firepitbrokers.com](http://www.firepitbrokers.com). Please allow additional lead time for non-standard colors.

**Disclaimer:**

Color swatches featured in this color chart have been matched to color standards at a 60-degree visual angle under a D65 Daylight primary source. The swatches are to be considered as an indication only. In practice, discrepancy between the color swatch and the actual powder coating may arise. This is due to paper and ink limitations, the influence of light and heat during the color chart production, as well as gloss level, substrate, surface variations, binder systems and pigments, coating thickness and cure oven conditions used during application. For a more accurate color and finish assessment, it is recommended to obtain a powder coated sample panel from Fire Pit Concepts, Inc.

REVISION DATE 04/14/20